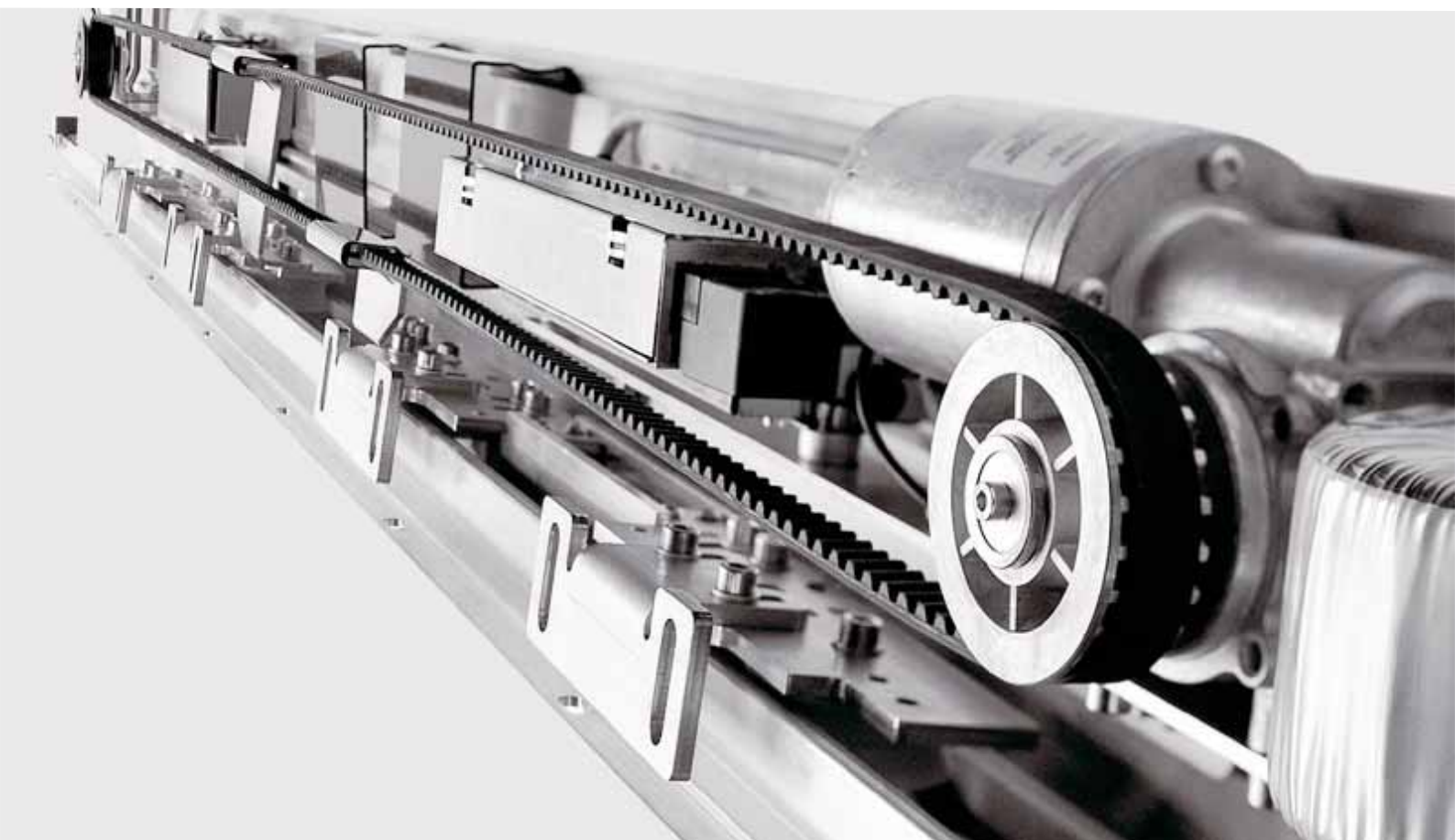


CAESAR
DORSERV



ES200

AUTOMATIC SLIDING DOOR OPERATOR

CE FC

MORE FLEXIBILITY AND EFFICIENCY

The ES 200 is the perfect solution ensuring that you are optimally prepared for any application and service Requirement.

The ES 200, there is no longer any need to replace components when you want to expand the functionality of your system. In future, "docking" will be the order of the day. The modular control system comprises of the basic control module (BM) and other two more module available, the function module (FM) and Plus module (PM) also. Consequently, upgrading in accordance with individual customer requirements can be carried out without problem.

The ES 200 complies with all relevant European standards .

The ES 200 is tested and approved for door systems of up to 2 x 160 kg / 1 x 200 kg and the ES 200EASY is tested and approved for door systems of up to 2 x 100 kg / 1 x 120 kg.

All basic parameters are easy to adjust using the integrated pushbuttons and display. No separate programming tools are necessary.

The ES 200 and ES 200 EASY are equipped with PowerDrive technology with identical mechanical components.

With an extra powerful motor and dynamic driving phase control, the integrated PowerDrive system ensures safe and reliable operation.

With the ES 200, offers a drive system of modular design capable of covering every application on the basis of just a few components. The system offers easy assembly and installation, reduced storage and stocking costs, and simple maintenance for enhanced operational cost efficiency.

For extra convenience, you can also program the system using the Caesar PDA , Change or setting parameters.

The ES 200 is available as a component kit, as a complete operator, or integrated in all CAESAR sliding door systems.

CAESAR furthermore provides program switches, activators and door profiles as ideal complementary components.



Features and benefits

- PM (Plus module) with BM (Basic module) combine in ES200plus, a new, innovative sliding door operator system offers the perfect solution for all applications with internet (LAN and WAN) ,and Mobile phone App control
- With PowerDrive: Dynamic driving phase control for particularly powerful operation with emergency power backup
- Industrially prefabricated and tested MiniDriveUnit with all necessary electrical and electronic components
- Easy commissioning via integrated display
- May be combined with all standard door profiles
- Fully comprehensive range of accessories
- Reliable investment due to compliance with all relevant European standards.



Quality Assured Manufacture

Door parameters	ES 200/ES200Plus
Single-panel sliding door	
– Clear passage width LW	700 – 3000 mm
– Door panel weight, max.	1 x 200 kg
Double-panel sliding door	
– Clear passage width LW	800 – 3000 mm
– Door panel weight, max.	2 x 160 kg
Clear passage height*	2100 – 3200 mm

*Other dimensions on request.

Door parameters	ES 200easy
1-panel sliding door	
– Clear passage width LW	700 – 3000 mm
– Door panel weight, max.	1 x 200 kg
2-panel sliding door	
– Clear passage width LW	800 – 3000 mm
– Door panel weight, max.	2 x 100 kg
Clear passage height*	2100 – 3200 mm

*Other dimensions on request.

Technical data

Height	100 and 150 mm
Depth	180 mm
Opening and closing force max.	150 N
Opening speed (incremental setting)	
– Standard/Plus	10 – 70 cm/s
– Easy	10 – 55 cm/s
Closing speed (incremental setting)	10 – 50 cm/s
Hold-open time	
– Standard/Plus	0 – 180 s
– Easy	0 – 60 s
Mains voltage, frequency	230 V, 50/60 Hz
Power consumption	250 W
International protection	IP 20
Admissible temperature	- 20 to +60° C
Tested according to low-voltage guidelines	

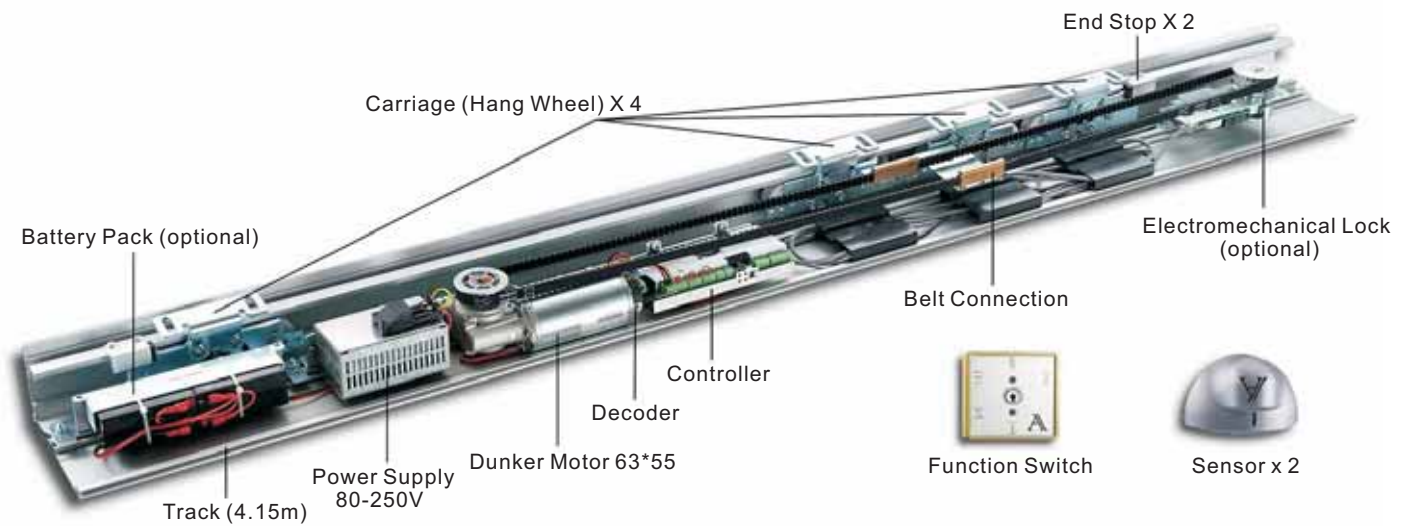
Basic module (BM)	ES 200
Microprocessor controller	
Functional programs	– Off
	– Automatic
	– Permanent open
	– Partial open
	– Exit only
	– Night-bank switch
Connection for	– locking device
	– light barriers
Setting of basic parameters	
via integrated display and push-buttons	
24 V output for external consumption	
Read-out error store with error codes	
Bus interface (Protokoll connect and work)	

Plus module (PM)	Standard/Plus
WiFi App	
LAN; local area network	
WAN; wide area network	
Wireless program control	
Daily running record	
* Optional	

Function module (FM)	Standard/Plus
Pharmacy control	
Door status detection (triple-mode)	
Main and secondary closing edge protection	
Emergency closing	
Bell contact	
Airlock control	
Synchronising mode	
* Optional	(EN 16005 and DIN 18650)

Additional equipment

Electro-mechanical locking (bistable)
Manual unlocking for electro-mechanical locking
Light barriers
Battery pack (emergency opening, emergency closing)
Emergency power module USV
* Optional

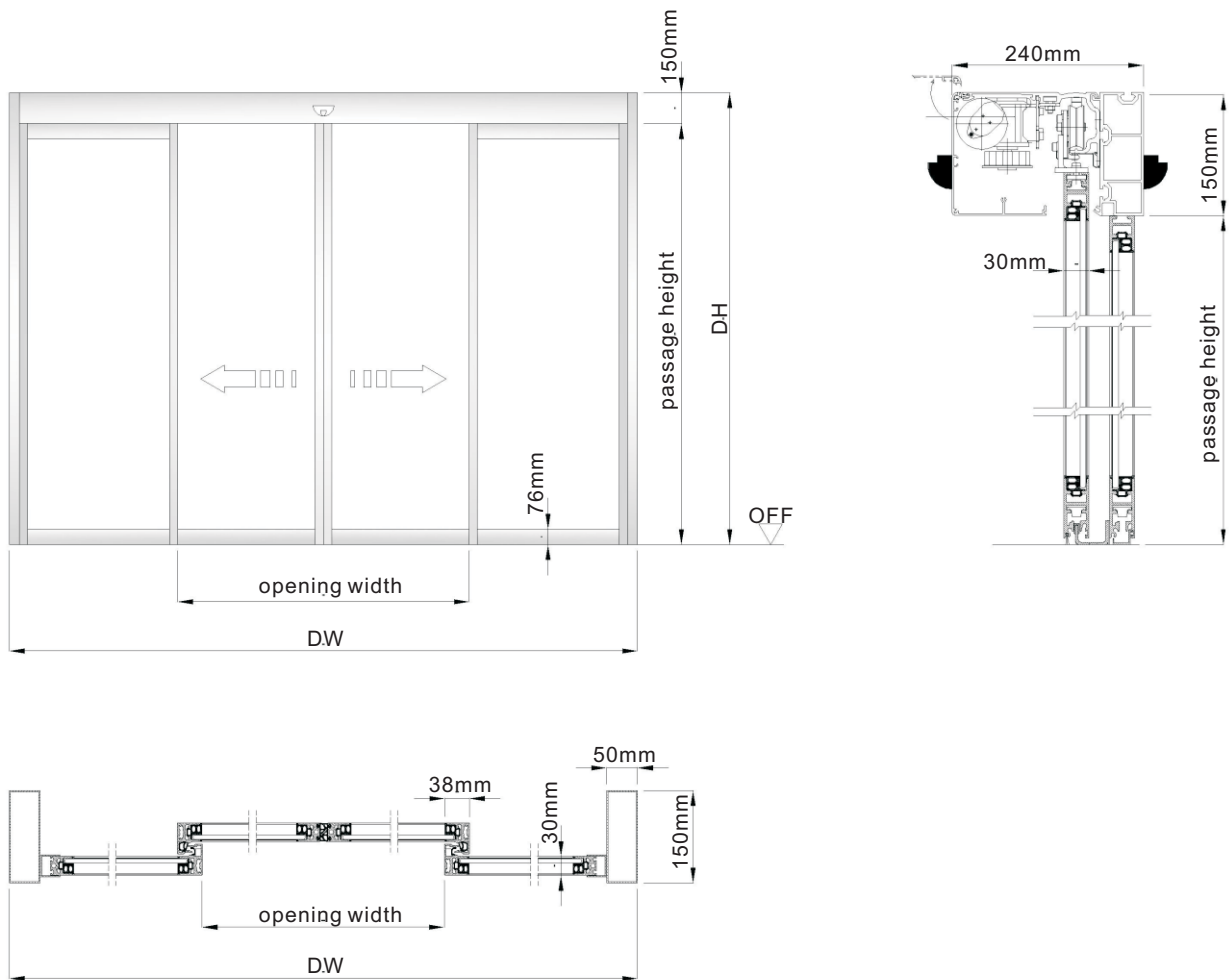


Standard component	Designation	Specification	Quantity
	Dunkermotoren	Brushed DC motor GR 63×55, IP 65 Worm Gearbox SG80, Encoder Re20 Nominal voltage V 30 Nominal power W 100 Nominal speed rpm 3350	1 pcs
	Control board Basic Module (BM)	Connections ports for: Electro-mechanical lock Safety sensor (light barriers) Adjustment of all basic parameters via integrated display and pushbuttons 24 V output for accessory like sensors, buttons Read-out error memory with error codes Rechargeable backup battery pack for emergency	1 pcs
	Power supply	Input: 80-250V AC Output: 35V DC	1 pcs
	Key switch	5-position, lockable, aluminum, white, flush-mounted version, 80 x 80 x 40 mm	1 pcs
	Sensor	Transmitter frequency: 24.125 GHz Dimension: 120 x 80 x 55 mm (W x L x H) Mounting Height: 2-4m Working voltage: 12-24v AC/DC(±10%) Tilt angle: 0°~90° vertical, -30° ~ + 30° lateral Power consumption: <2W (VA) Working temperature: -20°C ~ + 55°C	2 pcs
	Carriage		4 pcs

Standard component	Designation	Specification	Quantity
	Return pulley	an integrated return pulley and belt tension device	1 pcs
	Stopper	fixed on each side of automatic sliding door rail, they provide a buffer and space limiting to automatic door	2 pcs
	Belt connection	long end connector+ short end connector + clips	1 set
	Driving belt		1 pcs
	Track rail profile	#934 aluminium alloy, standard lenght 4.15m, optional lenght 5m or 6m	4.15 m
Optional component	Designation	Specification	Quantity
	Electro-mechanical lock	It combined the function of a regular pulley, belt tension and lock.	
	Magnetic lock	Size: 70x70x58mm Linear holding force:50kgs max. Input: DC12V, DC24V Currents: DC12V/180mA, DC24V/120mA Temperature: -10~55°C (14-131F) Humidity: 0~90%	
	Glass clamping	Suitable for glass 8-15mm thick Single open door use 2pcs short size or 1pcs long size Double open door use 4pcs short size or 2pcs long size	

Optional component	Designation	Specification	Quantity
	Power supply	NP 1.3-12 12V 1.3Ah Constant Voltage Charged Voltage regulation Cycle use 14.4-15.0V (25C) (Initial current: less than 1.39A) Standby use 13.5-13.8V Sealed Lead Accumulator	
	BEA C8	Microwave radar motion detect and active infrared presence detect automatic door sensor Supply voltage: 12V-24V AC +/-10%, 12V-30V DC 0%/+10% Power consumption: <3W Mounting height: 1.8m – 3.0m Temperature range: -25°C – +55°C Degree of protection: Ip54	
	Safety beam photocell sensor	Working Power: 12-30V AC/DC Static Current: 18mA (At 12V) Action Current: 58mA (At 12V) Max. Transmit Distance: 10m NO/NC Contact: Selected by NO/NC jumper Working Temperature: -42-45°C Working Humidity: 10-90% relative humidity Dimension(Controller): 105.5×53.4×28.5mm Dimension(Magic Eye): 19x13mm (LxD)	
	Wireless door open button	Working Power: 12-36V AC/DC Static Current: 15mA (At 12V) Action Current: 80mA (At 12V) Max. Transmit Distance: 5m Working Temperature: -42-45°C Working Humidity: 10-90% relative humidity Dimension(Receiver): 123×50×32mm Dimension(Wireless button): 203x40x13mm	
	Emergency button	Designed to interrupt the automatic movement of the door, emergency pushbutton (function: Emergency Off) for automatic operators, manufactured to ZH 1/494	
	Push button	Single-pole changeover contact, single-type frame, white, flush-mounted version	
	Eagle safe	Doppler Radar & Active Infrared Dual Mode Sensor Supply voltage: 12V-24V AC +/-10%, 12V-30V DC 0%/+10% Power consumption: <3W Transmitter frequency: 24.125 GHz Transmitter power density: <5 mW / cm2 Static Current: 65mA Action Current: 130mA Mounting height: 1.8m – 2.5m Temperature range: -25°C – +55°C Degree of protection: Ip54 Size: 260 x 53 x 45mm	

THE PROFESSIONAL PROFILE SYSTEM OF ES 200



Glazing and infill options

- Safety glass ESG / VSG
- Glass thickness: 6, 8 or 10 mm
- Infill's made of plastic, aluminium and wood

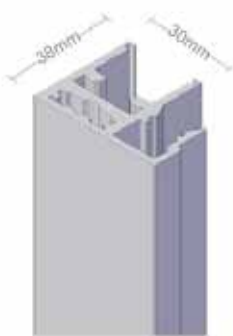
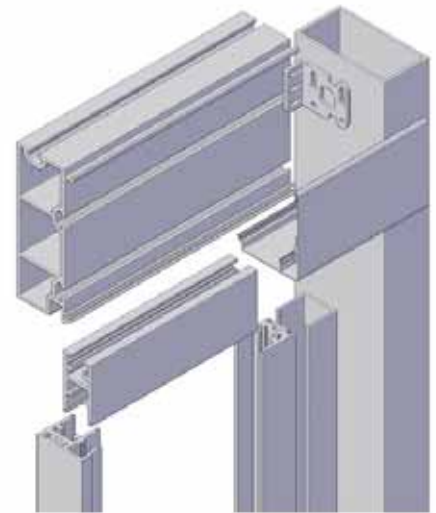
Surface finish of aluminium profiles

- Anodised (coloured or colourless)
- RAL colours, Polyester powder coating (PPC)

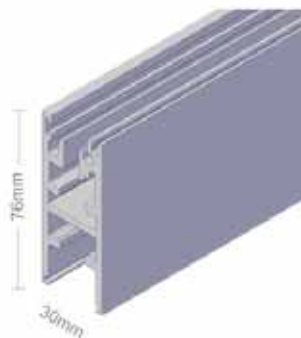


Complete Set Of Profiles For Easy Installation

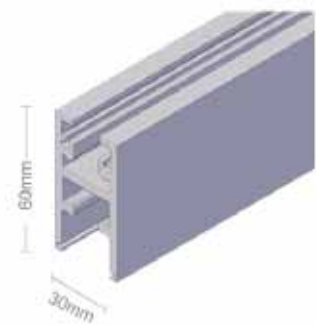
Caesars automatic doors provide well-developed aluminum profiles and are user-friendly. The simple layout of the components of the door frame profile ensures quick installation and maintenance. An optimal solution with an attractive price/performance ratio.



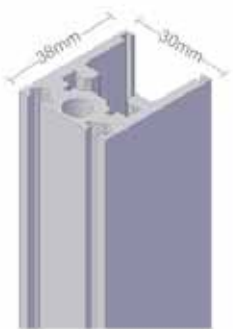
● middle frame



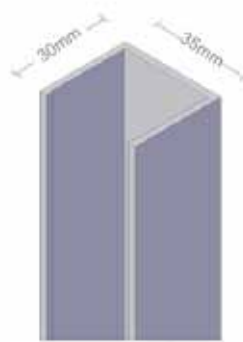
● lower frame



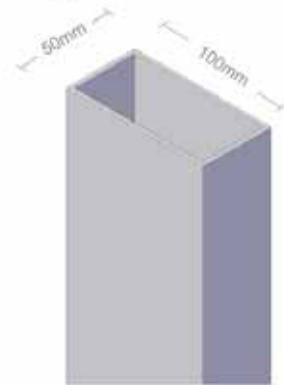
● upper frame



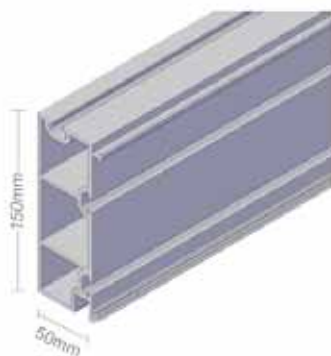
● side frame



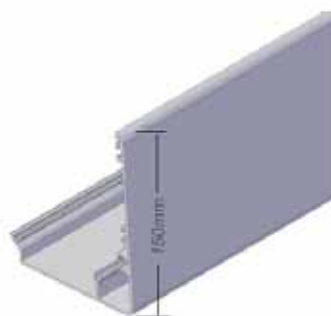
● U fix side frame



● side column



● girder profile



● cover



● L connect fix

ELECTRONIC ACCESS CONTROL



SCR 100

ID/IC CARD ACCESS CONTROL

Size: 95*153*35.5mm

The use of advanced mirror technology, black appearance is full of luxury generous;

The innovative and revolutionary products of the access control industry, controllers and reading heads, support TCP/IP communication, can work off-line or on-line distribution work, eliminating the need for 485 cabling and slow data transmission speeds. Using encryption technology to ensure data security Sex;

Professional access control function: can be connected to the lock, go out the switch, alarm, door magnetic, etc.

Wiegand input/output function, external read head, master/slave or anti-submarine function;

Can be built-in Webserver, access to records through the network access;

No screen, no buttons, strong dust and waterproof function;



CS 102

PASSWORD KEYBOARD ACCESS CONTROL

Size 80*119*27mm;

Support RS485 or TCP/IP auxiliary communication interface;

Support password keyboard or ID/IC card, can hold 2000 ID/IC cards;

Backlit digital and function keys for night operation;

Industrial grade design: From anti-static, lightning-resistant hardware PCB design, all-metal shell design of zinc alloy, waterproof grade can reach Ip65;



MA 300

FINGERPRINT ACCESS CONTROL

Size 73*148*34.5mm;

RS485 or TCP/IP auxiliary communication interface;

Fingerprint access control terminal with an integrated proximity reader, can accommodate 10000 ID / IC card;

Equipped with USB excuse, U disk for data upload, download;

Industrial-grade design: From anti-static, lightning-resistant hardware PCB design to all-metal shell design with zinc alloy, the waterproof grade can reach Ip65;

Fast recognition speed: Adopt world-famous ZKFinger fingerprint recognition algorithm and Intel32 CPU to process 1500 pieces of evenly distributed fingerprints in 1 second, making the system easy to use, reliability, accuracy, and recognition speed. improve;

Scope of use: The quality of security engineering projects, applicable to banks, military units, prisons, computer rooms and other high security units;



F18

COMPREHENSIVE ACCESS CONTROL

2.4-inch color display, size 183*80*42mm;

TCP/IP and RS485 communication optional;

ABS plastic, own doorbell big button;

U disk function, upload and download records, etc.

Backlit digital and function keys for night operation;

Support fingerprint/ID card/MF card, optional Mifaer card ID card function, can hold 5000 cards;

With weigand in & out interface, both external read head and access control read head;



IFACE

FACE RECOGNITION ACCESS CONTROL

Size 194.1*169*109.9mm;

High resolution infrared and color dual camera features;

4.3-inch touch screen, easy operation, simple and stylish interface;

Infrared optical system, strong adaptability to the environment, still recognizable at night;

Standard features include simple access control (gate magnet, exit switch, lock control, Wiegand output);

Standard TCP/IP communication, support TCP/IP, RS232/485, USB-HOST;

The combination of webserver management mode and PC software management mode is more flexible;

ID Card Verification combined with facial recognition to completely solve the limitations of a single biometric application;

ZKFinger10.0 fingerprint facial recognition algorithm;

Beards, glasses, bangs and other coverings, natural expressions, exaggerated facial expressions can be compared;

DORMA
CAESAR
DORSERV

DORSERV
Online Shop and Product Consultants
email: info@dorserv.com
Ph 0091 9544296493 India
Ph 00974 77530957 Qatar
<https://dorserv.com/>

ONLINE SHOP AND CONSULTANTS FOR DORMA / PANASONIC / GEZE / CAESAR AUTOMATIC DOORS